

DATA SHEET

GrapheneGPU

PCS 50



- + Peak Shaving Capacitor Shelf (PCS) with integrated GaN DC/DC converter
- + 50 VDC interface voltage
- + 21" ORV3 rack compatible
- + Standalone peak shaving (no comms required)
- + Air-cooled
- + Lithium-free supercapacitor energy storage based on Skeleton Technologies' patented Curved Graphene technology

Electrical	Value	Unit
Nominal output voltage	50	VDC
Peak power	60	kW
Nominal power	40	kW
Nominal capacity	100	kJ

Mechanical	Value	Unit
Target installation	21	" (ORV3)
Height	46.2	mm
Width	537	mm
Depth	866.8	Mm
	899.1	Mm
Weight	26.9	Kg
Cooling type	Air	
Max. operating altitude	2000	m

Communication interface	
Communication interface	2x Ethernet
Ethernet	Redfish
Additional protocols or IOs	On request

Standards
UL-marking
CE-marketing

skeleton+

info@skeletontech.com
www.skeletontech.com

All information is subject to change without prior notice.
Copyright © 2026 Skeleton Technologies GmbH. All rights reserved.
02-DS-20260414-GrapheneGPU-PCS50-1B
Page 1/2

Block diagram

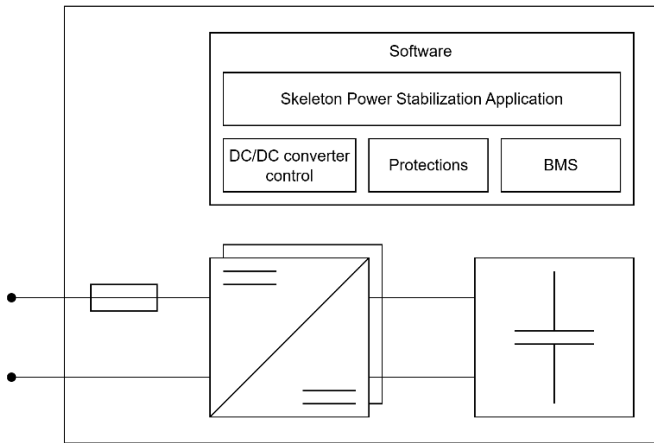


Figure 1 Device block diagram.

Typical application

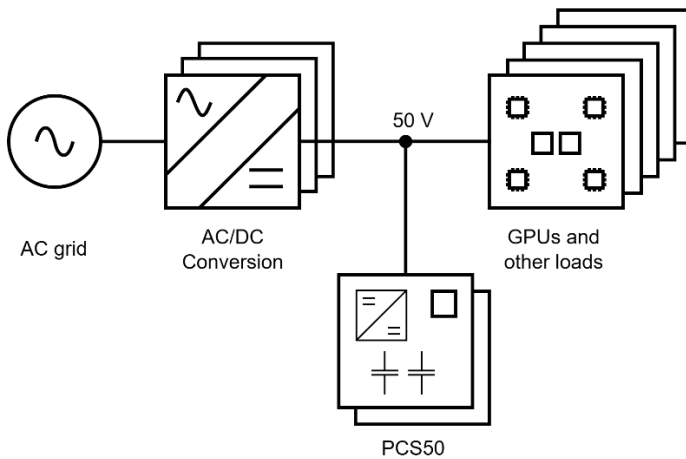


Figure 2. Typical datacenter application of PCS. Multiple PCS can be placed in parallel for higher performance.